



Rely on it.

# LIGHT RIDGES

## RENOLIT ONDEX



Ventilated  
lighting ridge for  
farm buildings



[www.renolit.com/ondex](http://www.renolit.com/ondex)



## + MATERIAL

The **RENOLIT ONDEX LIGHT RIDGES** are made with translucent bi-stretched sheets profile 150/45.

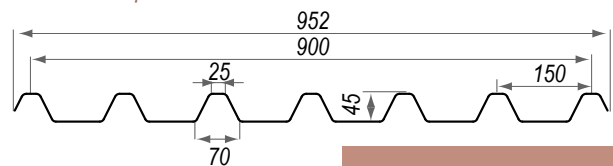
So they benefit from all qualities resulting from the bi-stretching process.

- + Shock resistance
- + Mechanical resistance
- + Resistance to thermal shocks
- + Hail resistance

Besides they have an excellent resistance to aggressive chemical fumes (ammoniac, ...)



Profile 150/45



$$\text{Required number of light ridges} = \frac{\text{Ridge length in m}}{0.870 \text{ m}}$$

## + APPLICATION

Thanks to their shape and optical qualities the **RENOLIT ONDEX LIGHT RIDGES** are a practical, efficient and fast solution to make a ventilated lighting ridge.

The **RENOLIT ONDEX LIGHT RIDGES** allow an easy installation, they are perfectly suited to new buildings and to the renovation of existing buildings.

### A NATURAL VENTILATION FOR:

- + A healthier environment and the livestock well-being
- + A limited condensation

### A MAXIMUM DURABILITY FOR:

- + A lasting light transmission
- + A limited dirtying thanks to a smooth and homogeneous material

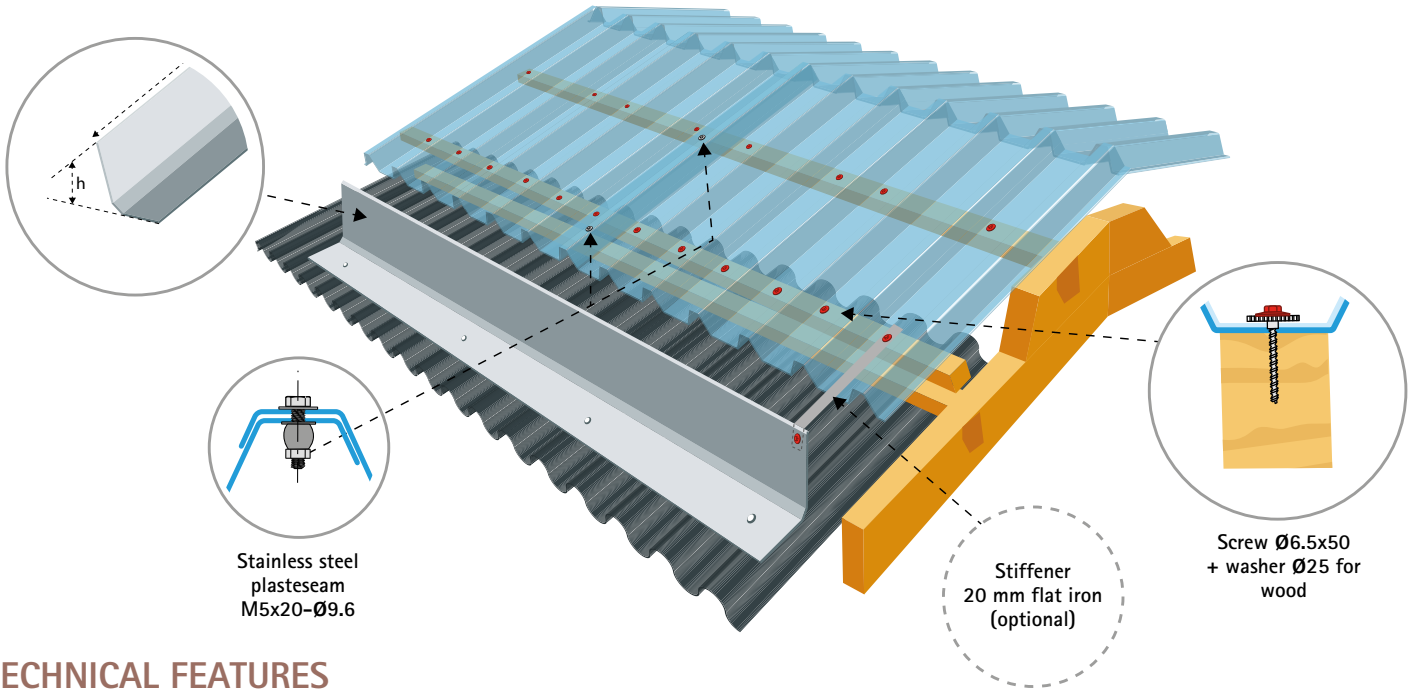
### AN EXCELLENT LUMINOSITY:

- + Contributing to the livestock growth and well-being
- + Preventing the formation of moss

### AN INCREASED MECHANICAL RESISTANCE TO:

- + Hail
- + Pebble projections

# + INSTALLATION WITH A WINDBREAK



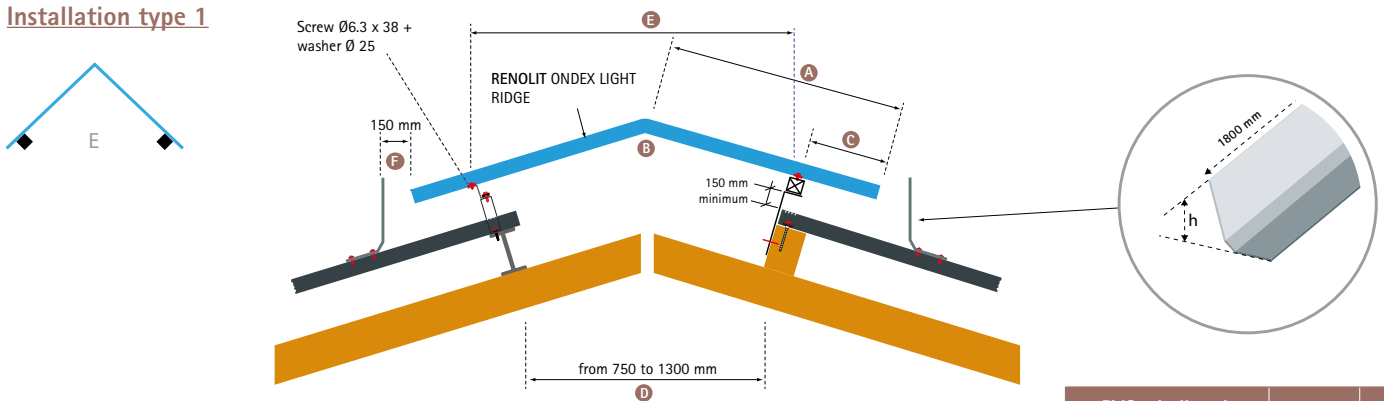
## TECHNICAL FEATURES

Opening angle Nw5 (140°) for a 20° (36%) roof pitch **B**

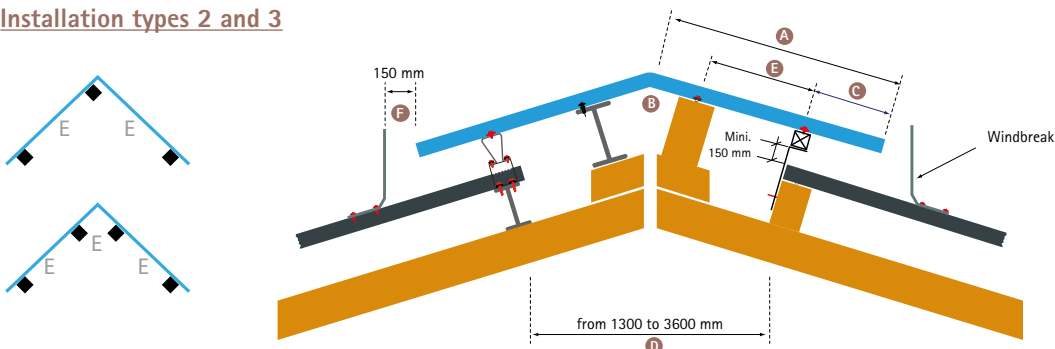
<b>A</b>	<b>C</b>	<b>D</b>	<b>E</b>	Installation type
Wing length in mm	Lower ridge overhang	Shaft width	Purlin distance	
600	100 to 200	750 to 950	750 to 950	
800		950 to 1300	950 to 1300	
1000		1300 to 1700	900	
1200	100 to 300	1700 to 2100	1100	
1400		2100 to 2400	1300	
1600		2400 to 2800	980	
1800		2800 to 3200	1100	
2000		3200 to 3600	1240	

Other angles or wing lengths are also possible on request

### Installation type 1

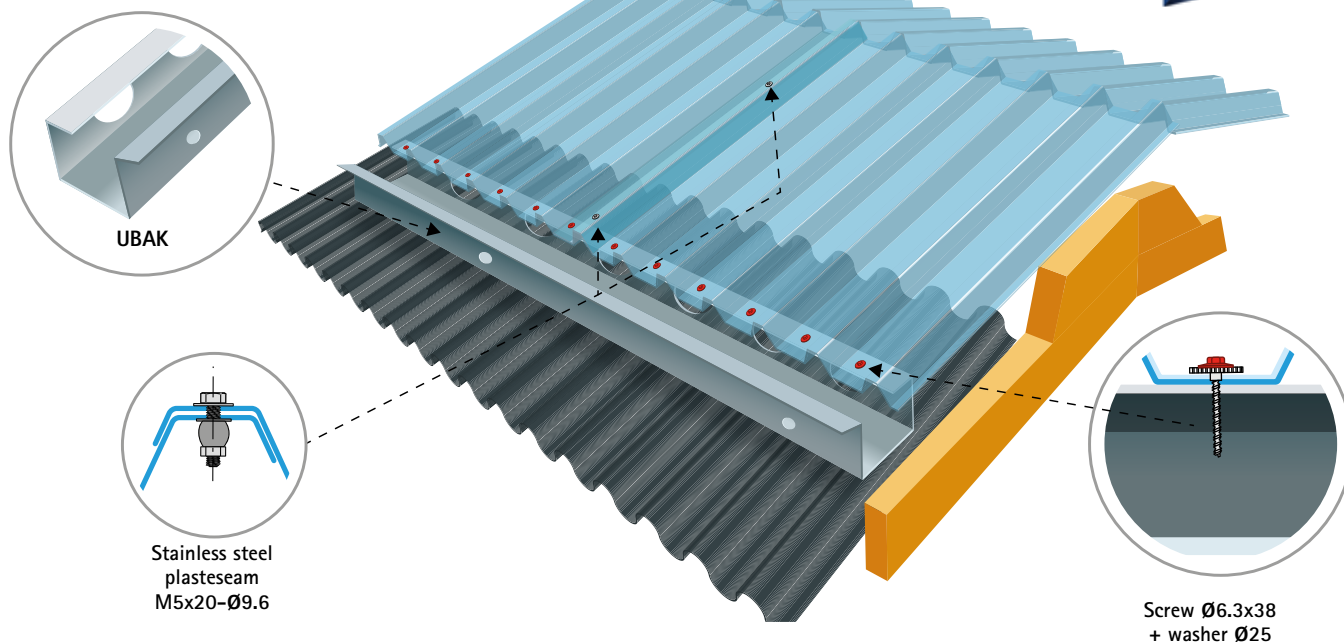


### Installation types 2 and 3



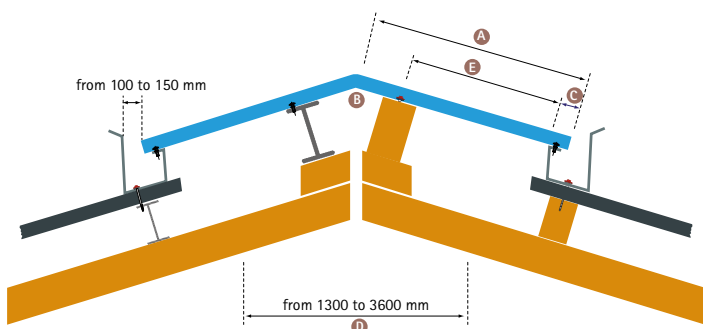
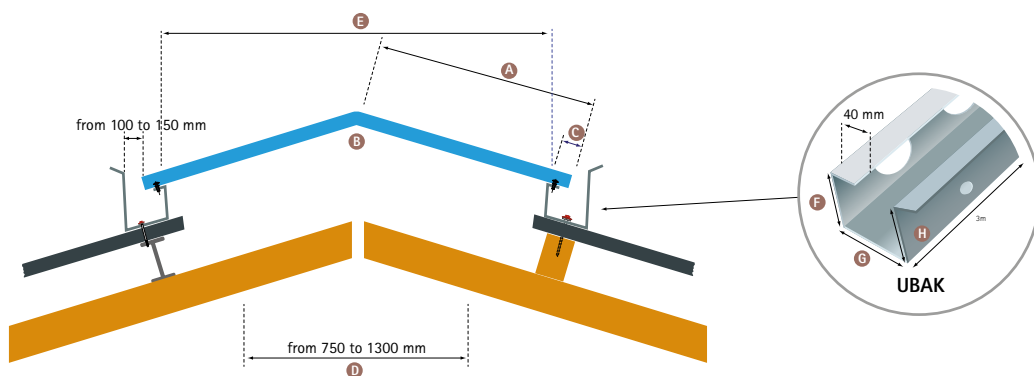
PVC windbreak Grey close to RAL7035	Height (h)	Thickness
<b>WINDBREAK h225</b>	225 mm	4 mm
<b>WINDBREAK h350</b>	350 mm	4 mm

# + INSTALLATION WITH UBAK<sup>®</sup>

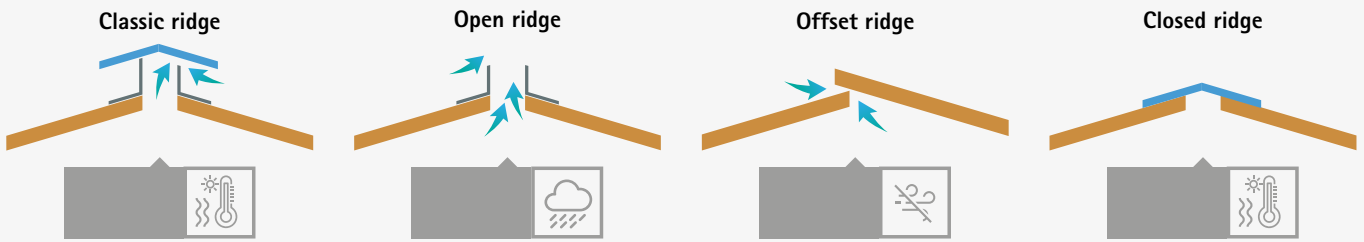


## TECHNICAL FEATURES

UBAK with a length of 3 m	F	G	H	Thickness	Ventilation cm <sup>2</sup> /LM
<b>UBAK 500</b> : for buildings with gabled roof < 15m wide	140 mm	150 mm	150 mm	1 mm	1050
<b>UBAK 750</b> : for buildings with gabled roof between 15 and 25m wide	200 mm	210 mm	250 mm	1.5 mm	2210



## EXISTING SOLUTIONS



## TWO SOLUTIONS

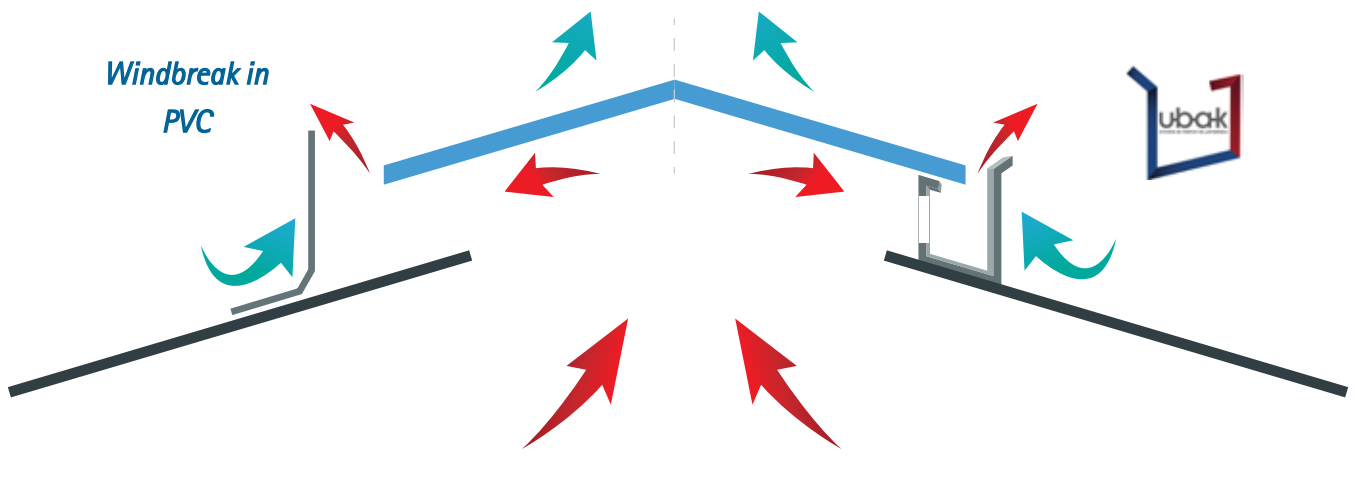
For an optimal natural ventilation



## FOR NEW BUILDINGS OR RENOVATION OF EXISTING BUILDINGS

- + Can fit any building
- + Positionable as needed
- + Prevents the penetration of rainwater

- + Easy to install
- + Quick to install
- + Fulfills two functions



Discover **ubak**<sup>®</sup>, an innovative technical process specifically for barns (for cattles, sheeps, goats and horses).

The translucent **RENOLIT ONDEX LIGHT RIDGES** in PVC can perform a double function: lighting and ventilation, in accordance with the technical standards in force.

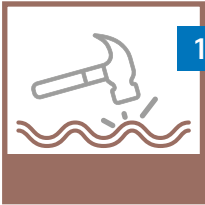
RENOLIT Ondex requested an expert assessment from the French Breeding Institute which lead to the approval of this outstanding benefit.

*The French Breeding Institute is an institute for applied research and development which aims to improve the competitiveness of grazing livestock and related sectors.*





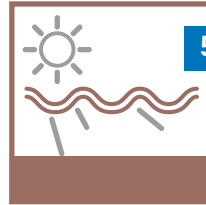
# 7 GOOD REASONS FOR CHOOSING RENOLIT ONDEX



1

## VERY HIGH IMPACT RESISTANCE

The **RENOLIT ONDEX** sheets have a 1200 joules certificate (50 kg bag dropped from a height of 2.4 meters).



5

## SUITED LIGHT TRANSMISSION

to the application thanks to a wide range of colours from crystal to opaque.



2

## NO SPREAD OF THE FIRE AND NO DROPLETS

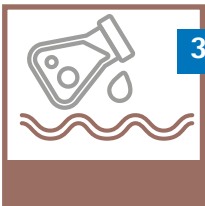
As the **RENOLIT ONDEX** sheets are self-extinguishing and retractable, they facilitate the smoke evacuation.



6

## PVC IS RECYCLABLE AND RECYCLED MATERIAL

The **RENOLIT ONDEX** sheets can be used as part of a Sustainable Development Policy.



3

## POSSIBLE USE ON THE FOLLOWING SITES

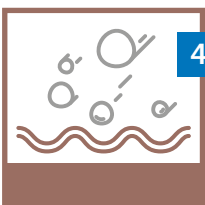
chemical or food processing industries.  
Resistance to urban pollution and salt air.  
*\* The list is available on request*



7

## EVEN AT LOW TEMPERATURES

the **RENOLIT ONDEX** sheets maintain their performances.



4

## HAIL RESISTANCE

tested by the throw of 38 g steel balls with a diameter of 40 mm at a speed of 200 km/h at a temperature of 0°C.

RENOLIT Ondex  
Avenue de Tavaux  
21800 Chevigny-Saint-Sauveur  
FRANCE  
Tel +33 (0)3 8046 8006

commercial.ondex@renolit.com  
www.renolit.com/ondex

The information contained in this document is provided in good faith, solely for purposes of information. It is based on the state of our knowledge at the time of writing. This information cannot be considered as a suggestion to use our products in contradiction to existing patents, national or local laws or rules. The purchaser alone ensures that he will meet the duty to provide information and advice to the final user. Possible non-compliance on the part of the purchaser with these rules, instructions and duties can under no circumstances engage our responsibility.



Rely on it.

GB 18 007  
04/2024 PDF